

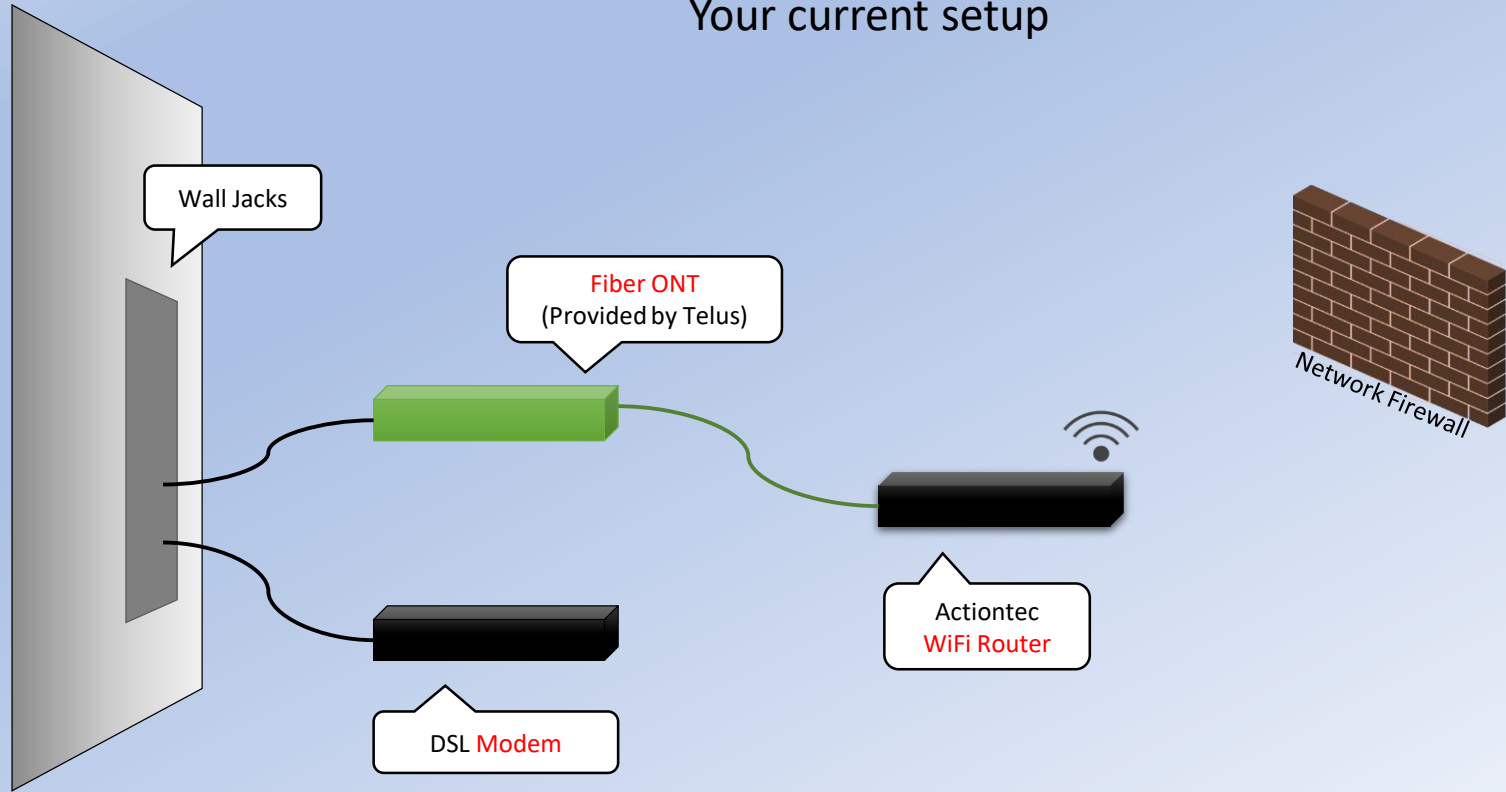
Self-install Instructions

PureFiber-ADSL Failover (Upgrade from ADSL) - Self Install Guide

Skyway West - May 2019



Your current setup



This is what your service setup will look like immediately after Telus completes their PureFiber Installation

Please follow this guide to fully complete the installation of your connectivity solution.

IMPORTANT:
You will lose connectivity during this process. Please proceed **ONLY** when it is okay to do so.

Call Skyway West Support if you need assistance:
604-482-1212

RouterBoard Management Router

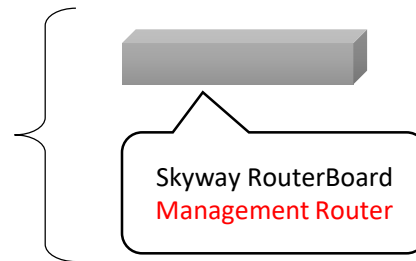
(Sent to you by Skyway)



You will receive this RouterBoard management router from Skyway West. Please connect it (according to this guide) in order to complete your setup.

You may also receive other equipment from Skyway, depending on the specifics of your solution.

Represented in this guide by this **gray** box



Skyway RouterBoard
Management Router

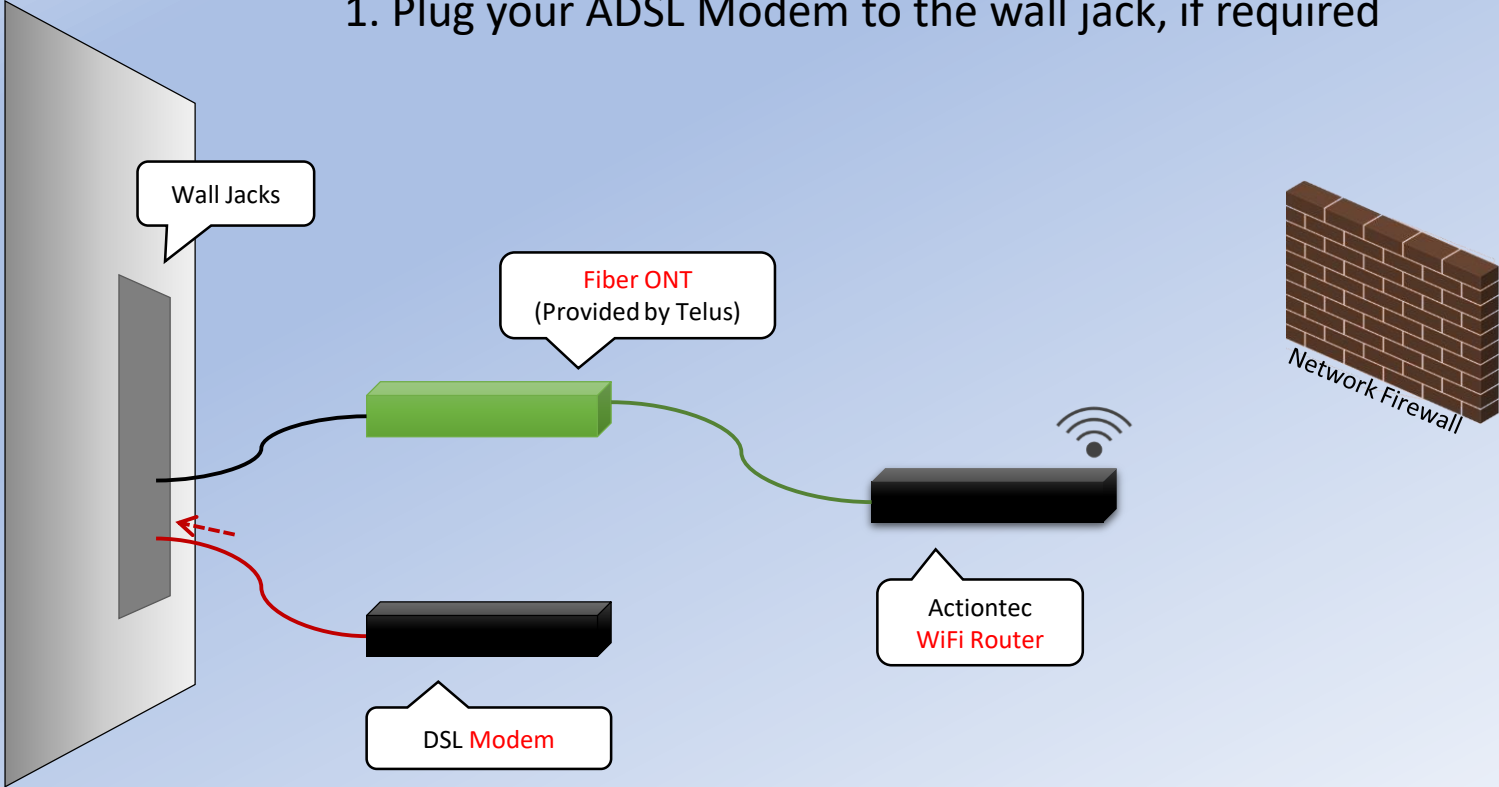
Don't forget to plug in!



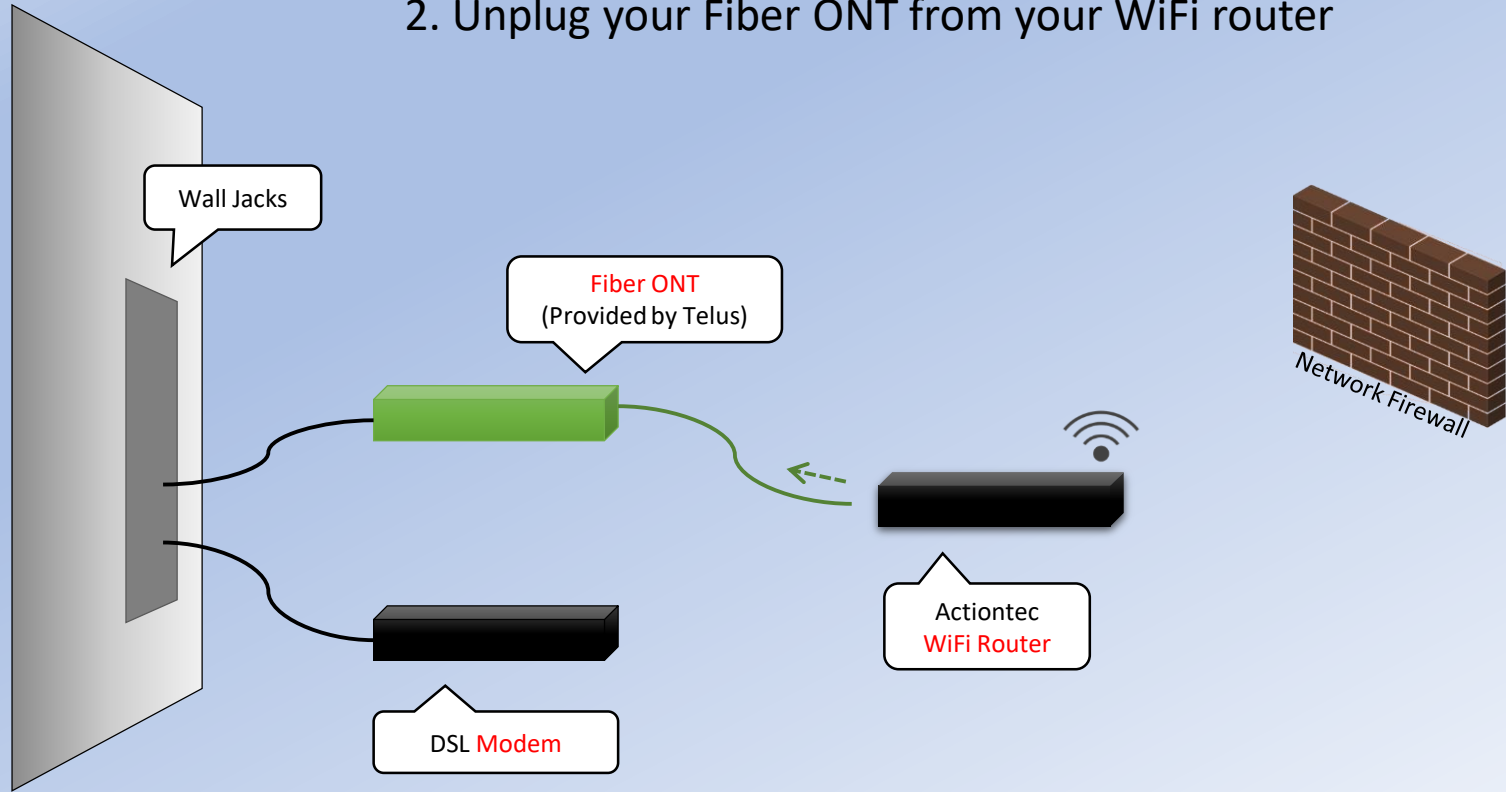
All devices described within this guide must be plugged in to appropriate power outlets.

The diagrams herein do NOT show power cords in order to keep them simple and easy to understand.

1. Plug your ADSL Modem to the wall jack, if required

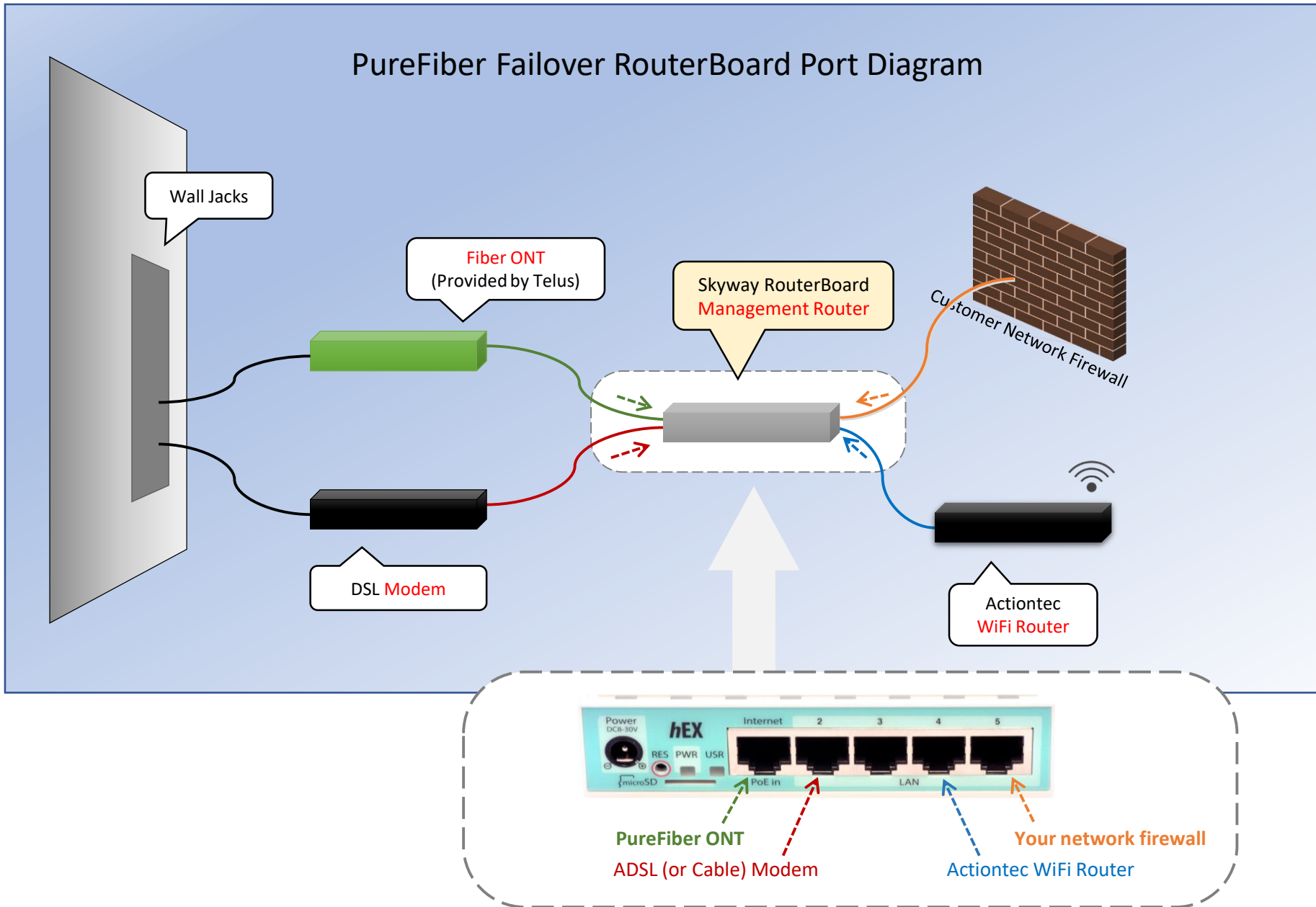


2. Unplug your Fiber ONT from your WiFi router



An Optical Network Terminal (ONT) is the device that a fiber line terminates into, and converts optical data into ethernet-protocol data.

PureFiber Failover RouterBoard Port Diagram



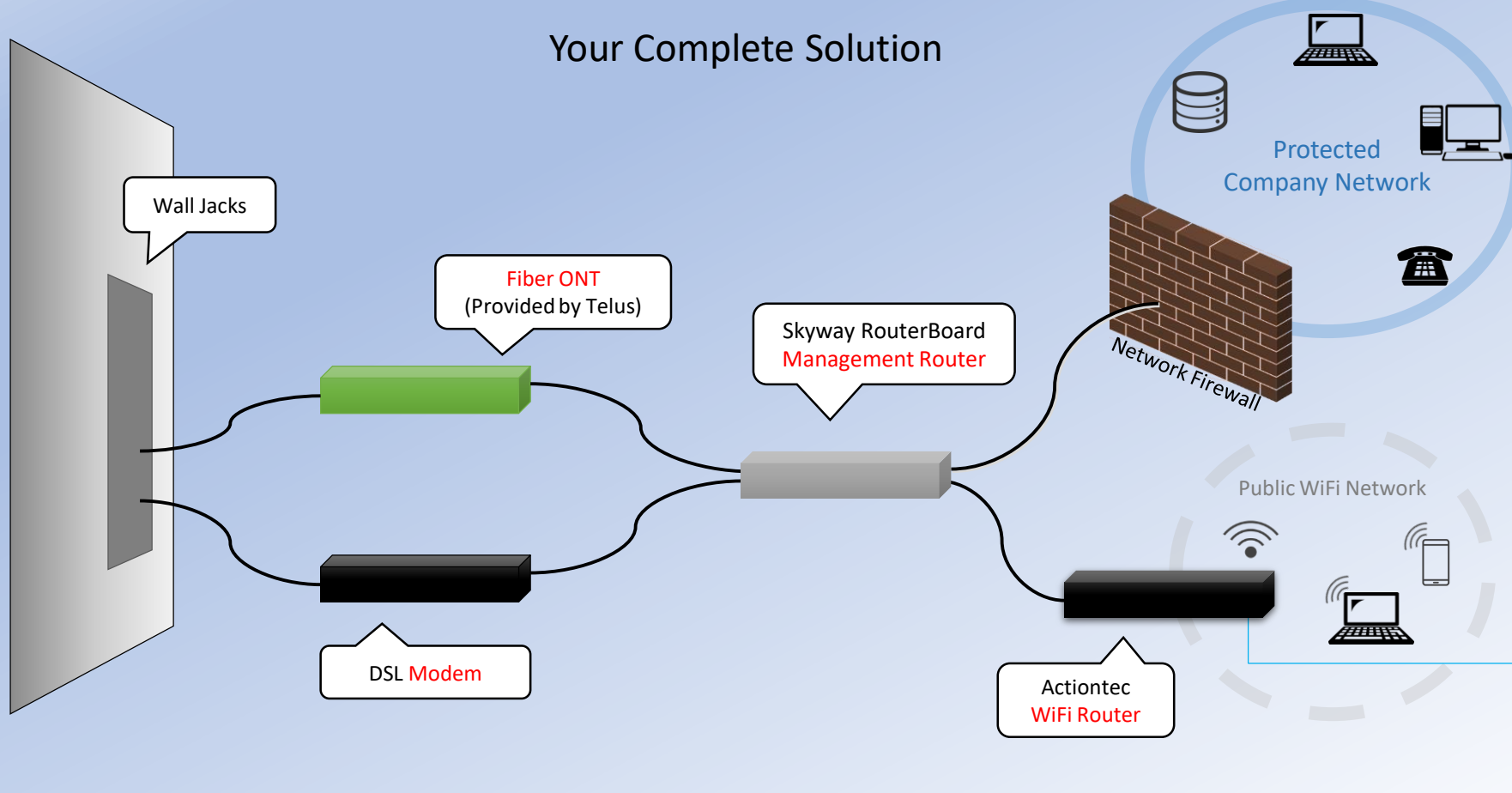
Plug the Fiber ONT into port **ONE** (Internet / PoE port) of the Skyway RouterBoard.

Plug the ADSL or Cable modem into port **TWO** of the Skyway RouterBoard

Plug the Telus Actiontec WiFi router into port **FOUR** of the Skyway RouterBoard

Plug your network firewall into port **FIVE** of the Skyway RouterBoard

Your Complete Solution



The **Actiontec T3200** WiFi router is configured for public WiFi. WiFi internet traffic is separated from LAN internet traffic; WiFi users cannot reach your LAN directly through our management router.

In order to reach your internal network, WiFi traffic is tunneled to Skyway and returns through your Internet connection to your LAN firewall.

If you prefer to not use the Actiontec WiFi router, please inform provisioning@skywaywest.com.

The public WiFi SSID and Password are written on the Actiontec WiFi router.